

Product Portfolio

Xtralite S-Line

a distinctive and versatile range of standard glass rooflights

Product Portfolio Rooflights S-Line

The S-Line range of standard glass rooflights are a cost effective and safe solution for providing light in a diverse range of buildings from private housing through to major commercial construction projects. Designed and manufactured in the UK by Xtralite, the leader in rooflight production, they are available in four distinctive styles—pyramid, ridgelight, pyramid lantern and ridgelight lantern, the key benefits of these being:

- Lightweight aluminium weather-resistant frame

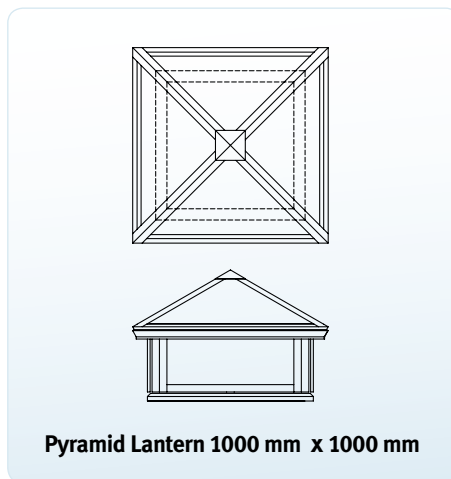
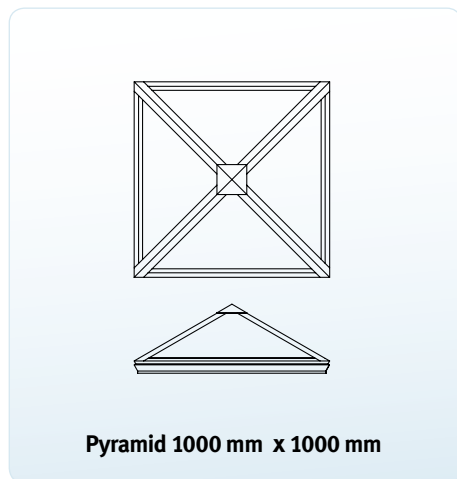
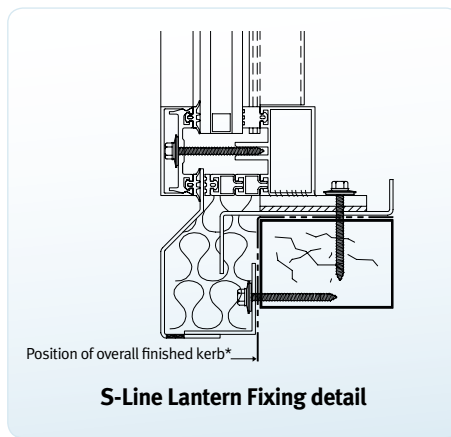
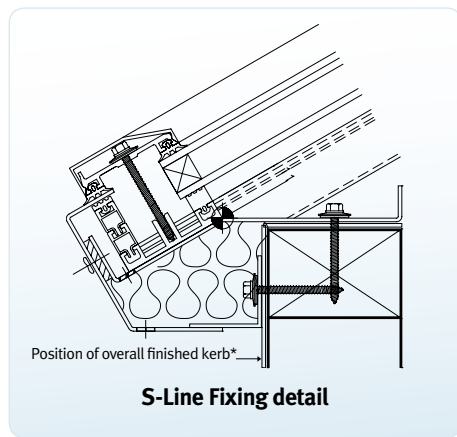
- Frames powder coated in white, other options available on request
- Heat loss minimised with toughened outer, 16 mm cavity and laminated low e inner
- Low 'U' value as required by Part L
- Standard product is available within two weeks of confirmed order
- Supply only or supply and install
- 'Non-fragile, Class B' rating classified to ACR[M]001:2005.



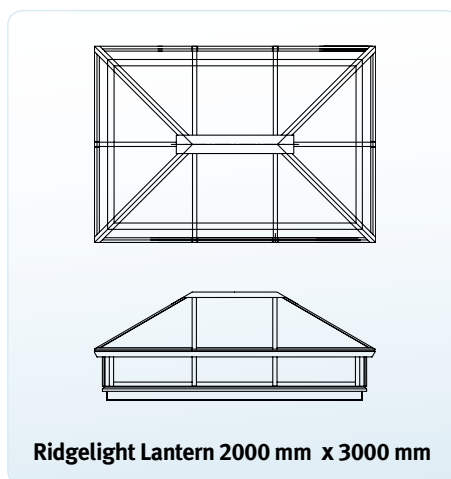
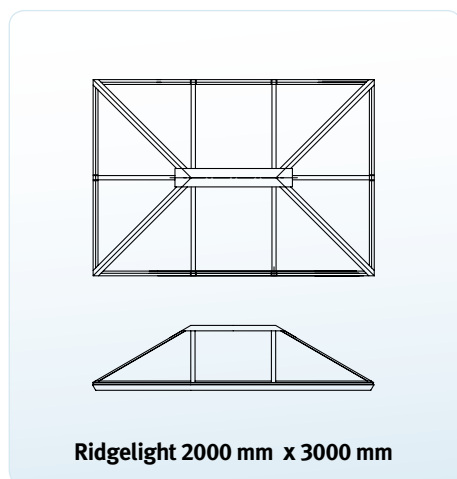
Specialist glazing options are available though this may affect delivery times.

Sizes are as shown below.

* Please note the size refers to the overall finished kerb size including weatherproofing.



Guide Sizes (mm)	
Pyramid/ Pyramid Lantern	Ridgelight/ Ridgelight Lantern
1000 x 1000	1000 x 1200
1200 x 1200	1000 x 1500
1500 x 1500	1200 x 3000
1800 x 1800	1500 x 1800
2000 x 2000	1500 x 2400
	1500 x 3000
	1800 x 3000
	2000 x 3000



XTRALITE (Rooflights) Limited
Spencer Road
Blyth Riverside Business Park
Blyth, Northumberland
NE24 5TG

Tel: +44 (0)1670 354157
Fax: +44 (0)1670 364875
E-mail: sales@xtralite.co.uk
Website: www.xtralite.co.uk

