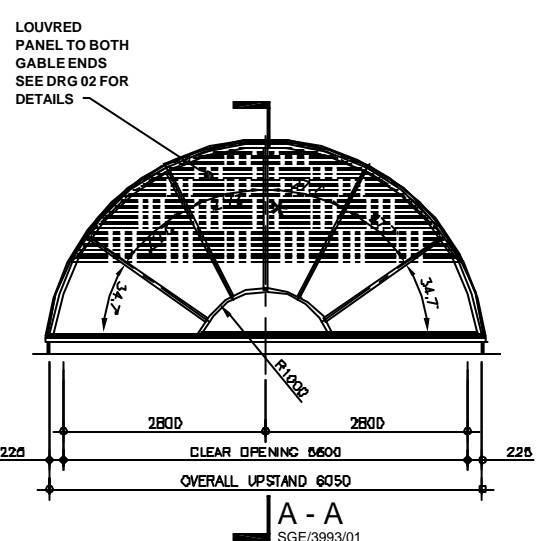


B-B
PLAN ON ROOFLIGHT
SGE/3993/01
1NO. REQUIRED AS SHOWN



A-A
SGE/3993/01
GABLE ELEVATION
BOTH GABLES GLAZED

* CENTRAL GABLE MILLION WELDED TO SMALL ARCH, LAP JOINED TO MILLIONS LAP JOINED TO BOTH SIDES. INTERNAL SPINDS WELDED TO SMALL ARCH @ 4 LOCATIONS

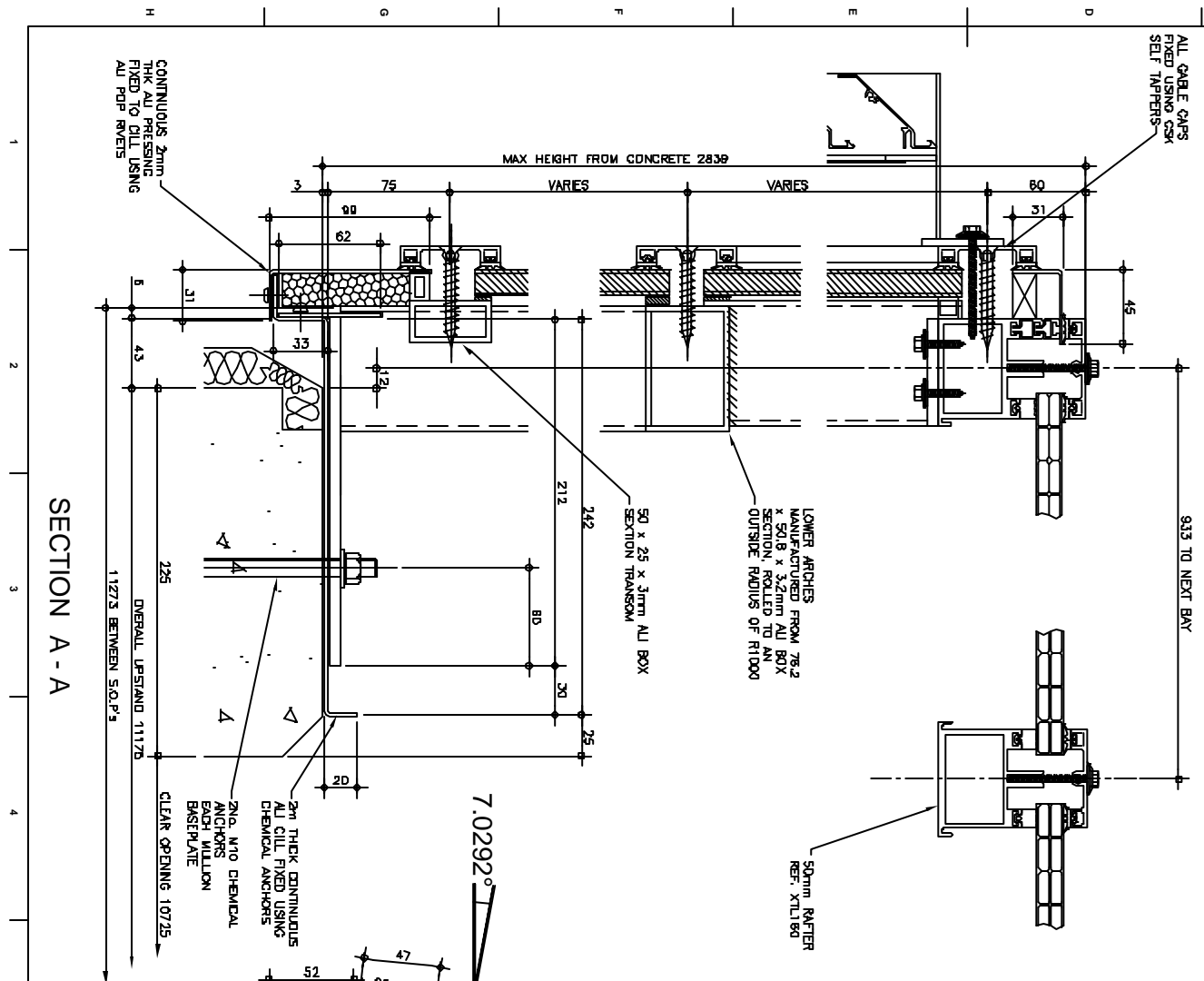
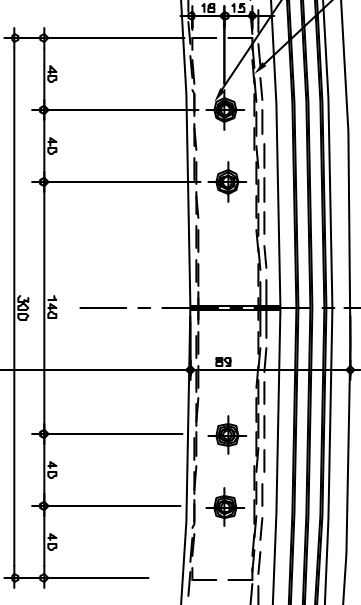
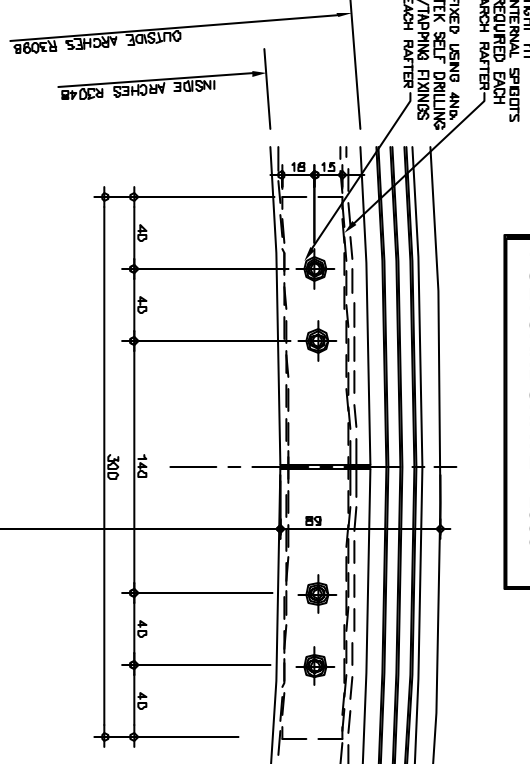
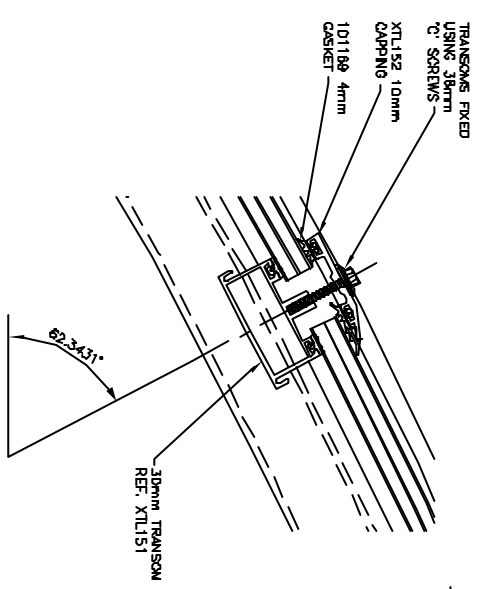
LOUVRED PANEL TO BOTH GABLE ENDS SEE DRG 02 FOR DETAILS

CONTRACTOR MUST ENSURE THAT TOP FACE OF UPSTAND IS FREE FROM PROTRUSIONS ± 3mm

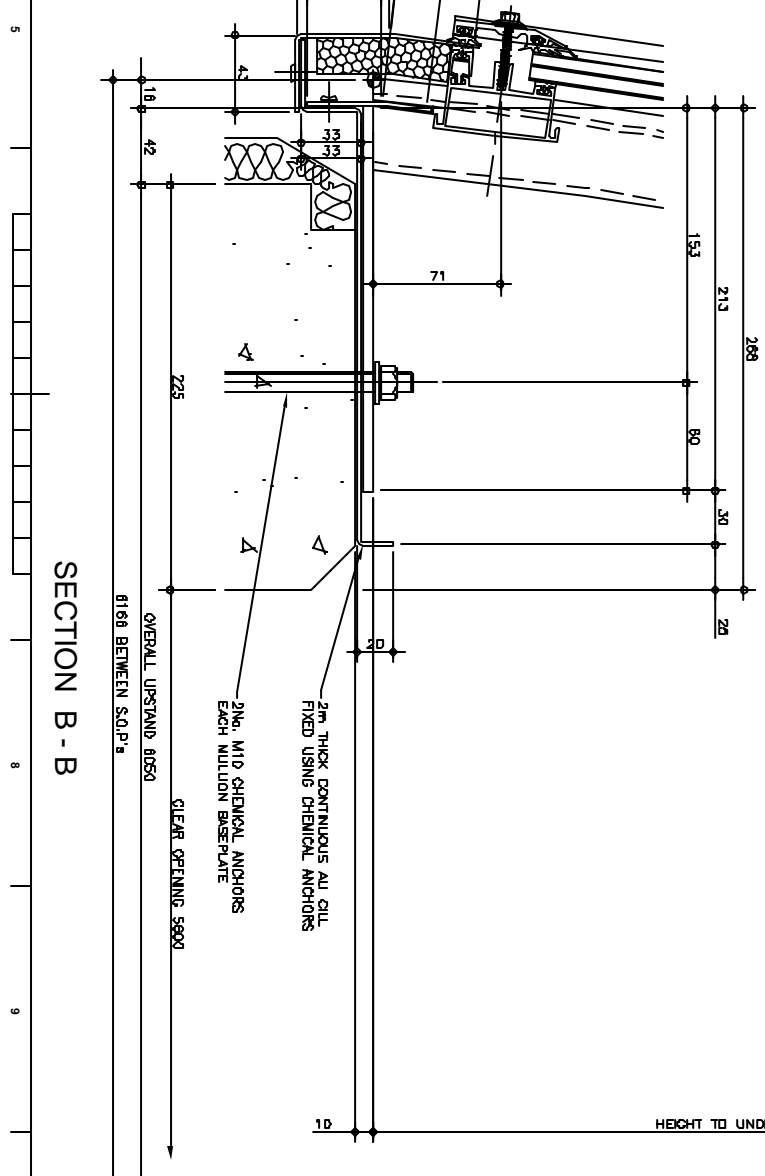
ALL CONCRETE KERBS BY OTHERS

OUTSIDE GIRTH OF POLYCARBONATE = 2985

NOTE:
WE HAVE CONCLUDED FROM INITIAL INVESTIGATIONS THAT THE KERBS FIXING SURFACE WILL BE MANUFACTURED FROM CONCRETE. SUITABLE FIXINGS WILL BE INCLUDED FOR THIS HOWEVER ANY UNNOTIFIED CHANGES TO THIS FIXING PLATE MATERIAL MAY DELAY THE INSTALLATION AND POTENTIALLY INCREASE COSTS. PLEASE TREAT THIS NOTICE ACCORDINGLY



SECTION A-A



SECTION B-B

NOTES:
ALL DIMENSIONS MUST BE CHECKED ON SITE AND NOT SCALED FROM THIS DRAWING.

GLAZING SPECIFICATION

16mm THICK CLEAR TRIPLEWALL STRUCTURED POLYCARBONATE WITH NANOGEL INFILL

GABLE ENDS TO HAVE 16mm FOAMEX

PAINT SPECIFICATION
POLYESTER POWDER COATED TO:-
COLOUR:- WHITE
RAL:- 9010

Rev.	Date	Amendment	Drawn	Chkd	Apd.
6	15/11/06	RAFTERS CHANGED TO 50mm FOR CONSTRUCTION	IW		
5	15/11/06	DRAWING OR UPDATED	IW		
4	02/11/06	DRAWING OR UPDATED	IW		
3	02/11/06	LOUVRE ADDED, GABLE FINISHES CHANGED	IW		
2	24/09/06	UPDATED TO SURVEY	IW		
1	12/10/06	SETTING OUT POINT CHANGED FOR APPROVAL	IW		
0	09/10/06	ISSUED FOR APPROVAL	IW		

Xtralite
ROOFLIGHTS
SPENGLER ROAD,
BLYTH INDUSTRIAL ESTATE,
BLYTH,
NORTHUMBRIA,
NE24 5TH
E-mail: Drawings@xtralite.co.uk
Tel No. (01670) 354157
Fax No. (01670) 354495

VOLKER STEVIN LIMITED
Contract Title:
LARFARGE CEMENT

Drawing Title:
**BARREL VAULT
DETAILS**

Drawn	Date	Scale	Status
IW	05/10/06	1:50, 1:2	C
Checked	Date	Work Package Number	
Works Element			
Department			
DO	Xtralite Drawing No.	Rev.	
	S/16467/01	6	